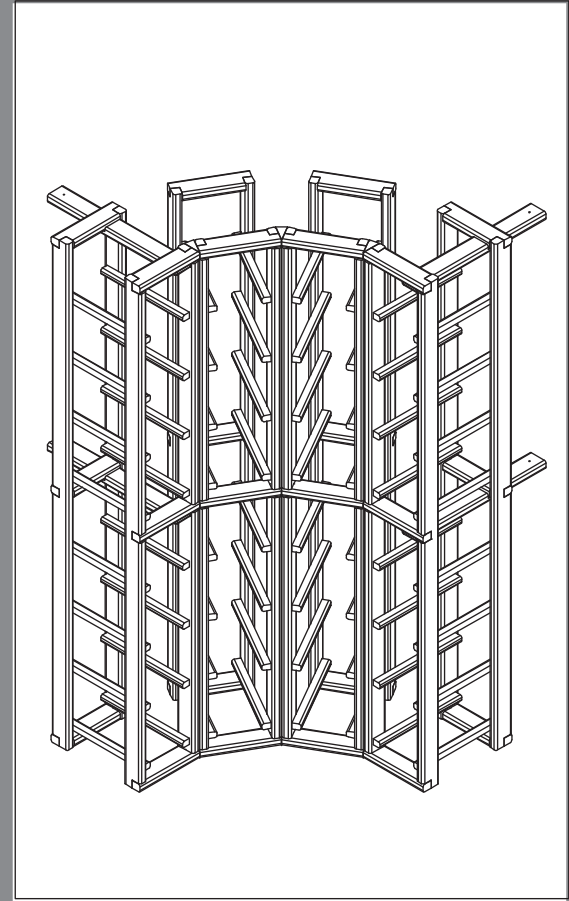


Vintage Classic Kit Rack™

by VintageKeeping



ASSEMBLY INSTRUCTIONS



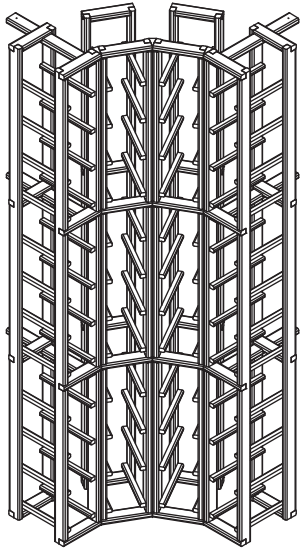
OR KIT RACKS:

- IB CORNER 32
- IB CORNER 48

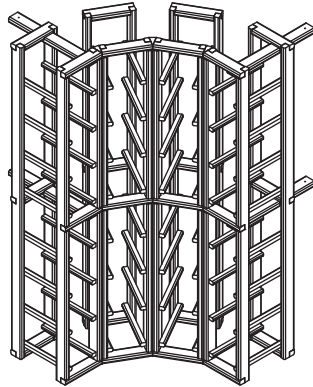
INTRODUCTION

Thank you for purchasing a Vintage Classic KIT RACK. The following instructions will help you assemble kits IB CORNER 32 and IB CORNER 48.

Please study carefully the instructions prior to starting the assembly.



IB CORNER 48



IB CORNER 32

COMPONENTS

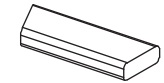
The following components are included in all kits:



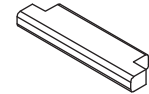
SIDE LADDERS



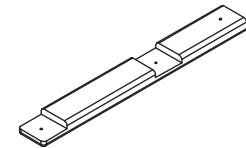
WEDGES



ANGLED SPACERS



SPACER BARS



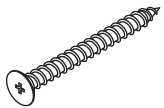
CLEATS

QUANTITY OF COMPONENTS PER KIT

| KIT NUMBER | COMPONENT | | | | |
|------------------|--------------|-------------|--------|--------|----------------|
| | SIDE LADDERS | SPACER BARS | CLEATS | WEDGES | ANGLED SPACERS |
| IB CORNER KIT 32 | 8 | 24 | 4 | 3 | 9 |
| IB CORNER KIT 48 | 8 | 32 | 4 | 3 | 12 |

HARDWARE

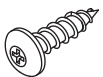
The following hardware is included in kit:



•Philips Flathead 1 1/2"



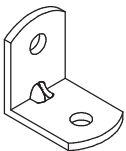
•Philips Flathead 1/2"



•Philips Panhead 5/8"



•DRYWALL ANCHORS (4)

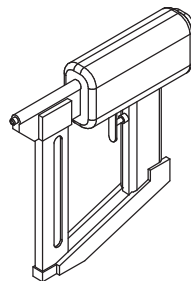


•ANGLED BRACKETS (4)

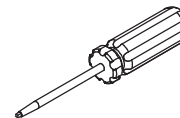
•GAUGE BRAD NAILS (3 SLEEVES)

TOOLS REQUIRED

The following tools are required (NOT INCLUDED):



NAIL GUN (with appropriate air compressor or electrical nailer)
With 18 gauge BRAD nails (supplied)



PHILIPS HEAD SCREWDRIVER



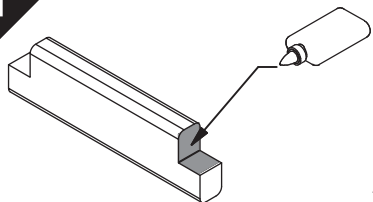
WOOD GLUE

IMPORTANT!
Always follow the manufacturer's instructions on how to use the nail gun to prevent injury. VintageKeeping is not liable for any injury incurred by any power tool or tool used to assemble the kit

ASSEMBLY

STEP 1

APPLY GLUE TO SPACER BARS

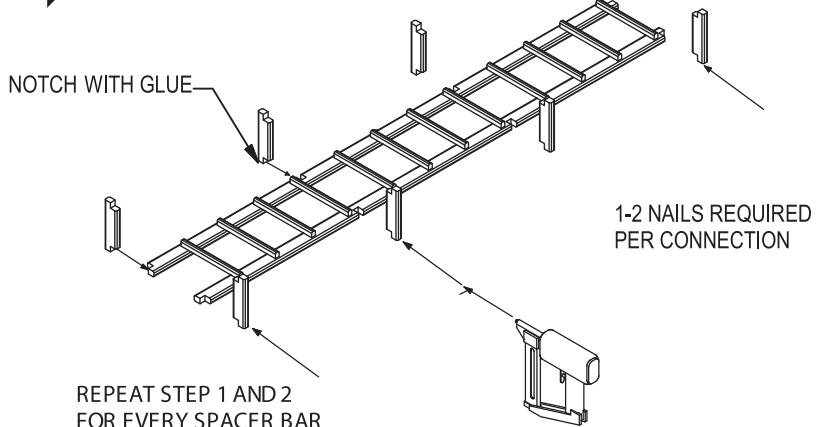


APPLY GLUE TO ONE SPACER BAR ONLY ON ONE SIDE AS SHOWN AND MOVE TO STEP 2

*Apply enough glue so that it will not run when the pieces are nailed together

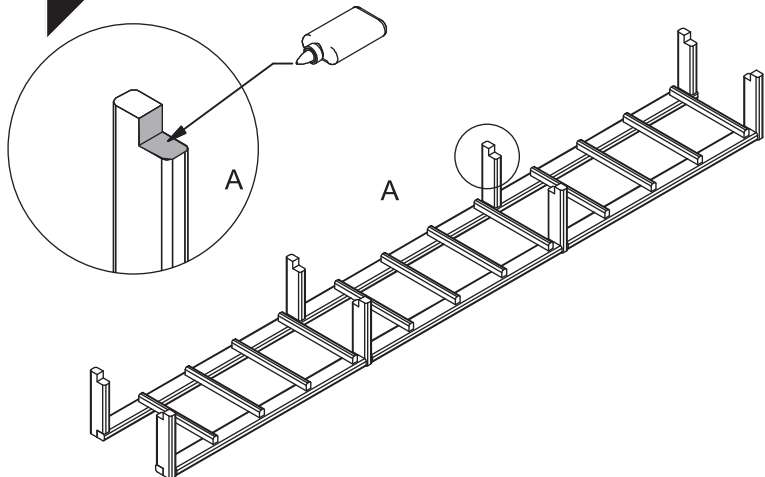
STEP 2

NAIL EACH SPACER BAR TO THE SIDE LADDER AT PRE-NOTCHED LOCATION



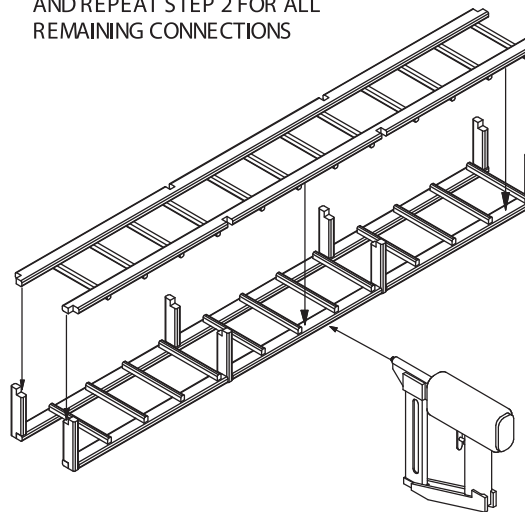
STEP 3

APPLY GLUE TO ALL SPACER BARS AS SHOWN

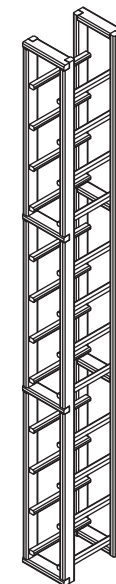


STEP 4

PLACE OTHER SIDE LADDER AND REPEAT STEP 2 FOR ALL REMAINING CONNECTIONS



FINISHED RACK

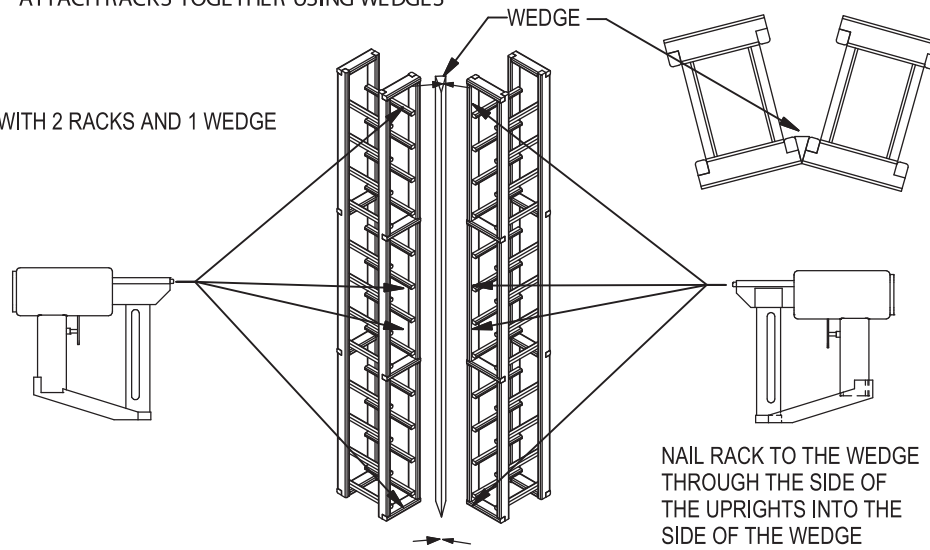


REPEAT STEPS 1 THROUGH 4 TO MAKE 4 IDENTICAL RACKS

STEP 5

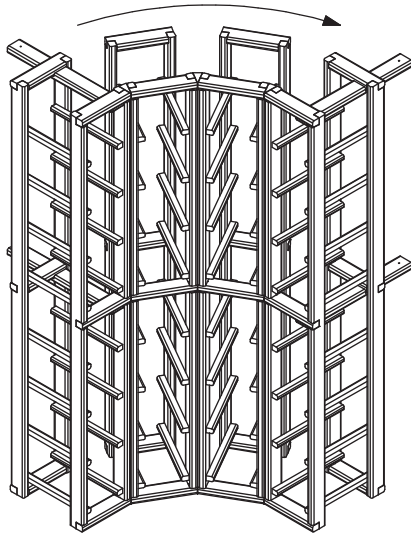
ATTACH RACKS TOGETHER USING WEDGES

START WITH 2 RACKS AND 1 WEDGE



STEP 6

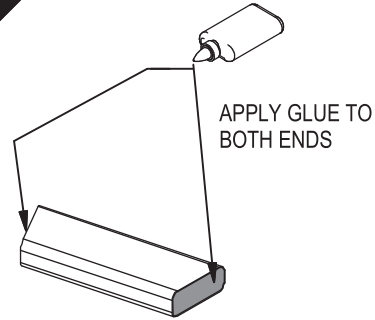
ATTACH OTHER RACKS



REPEAT STEP 5 TO ATTACH THE REST OF THE RACKS TO FORM THE CURVED CORNER

STEP 7

APPLY GLUE TO ANGLED SPACERS

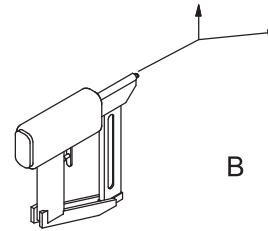


FOLLOW STEPS 7-8 ONE SPACER AT A TIME

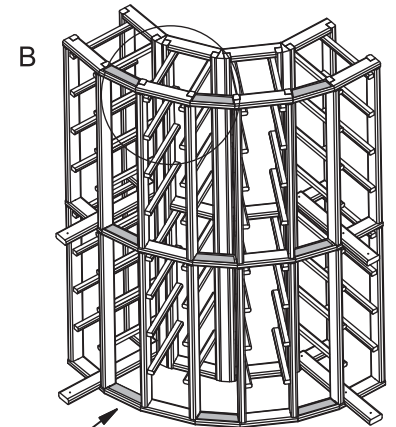
STEP 8

NAIL SPACER TO RACKS

NAIL SPACERS DIAGONALLY INTO THE RACKING

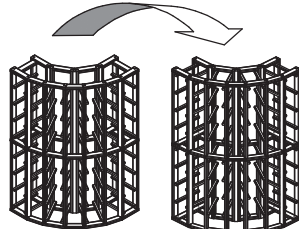


ATTACH SPACERS AT THESE LOCATIONS

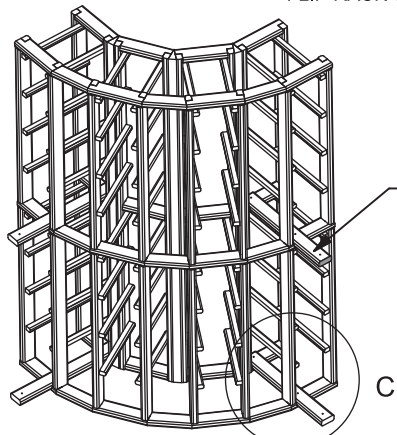


STEP 9

ATTACH CLEATS TO RACK



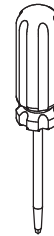
FLIP RACK UPSIDE DOWN



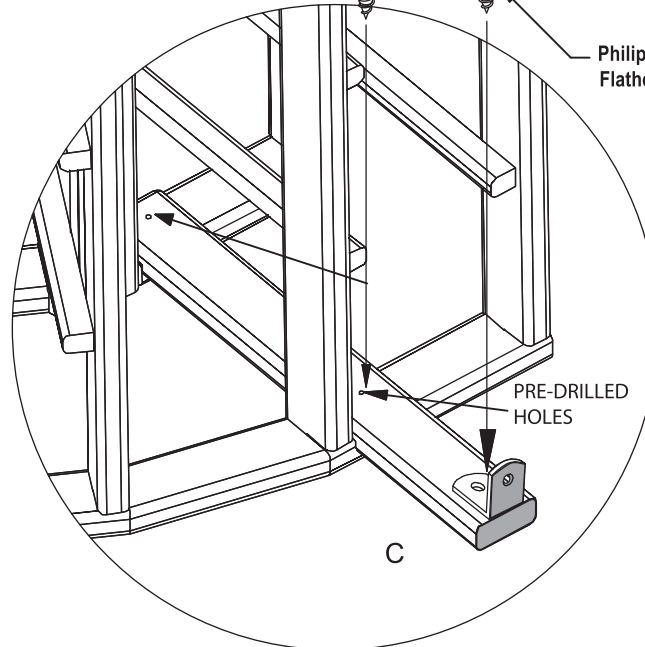
POSITION CLEATS AT THESE LOCATIONS

UPSIDE DOWN RACKS

Philips Panhead 5/8"



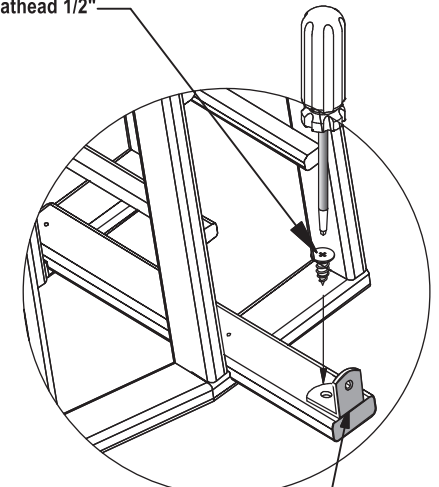
Philips Flathead 1/2"



STEP 10

ATTACH ANGLED BRACKET TO CLEAT

Philips Flathead 1/2"



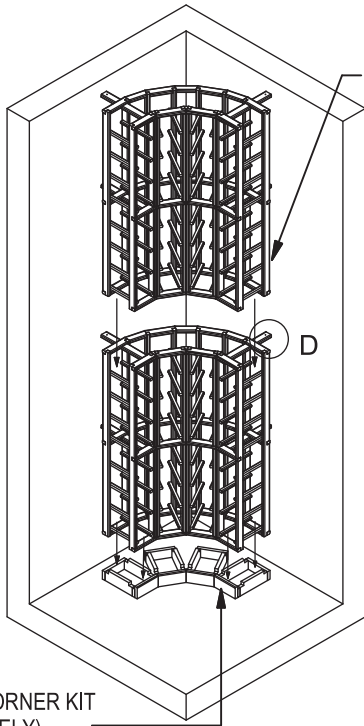
FLUSH BOTH OF THESE FACES

ATTACH ANGLED BRACKET TO EVERY CLEAT

STEP 11

ATTACHING COMPLETED UNIT TO WALL AND OTHER UNITS

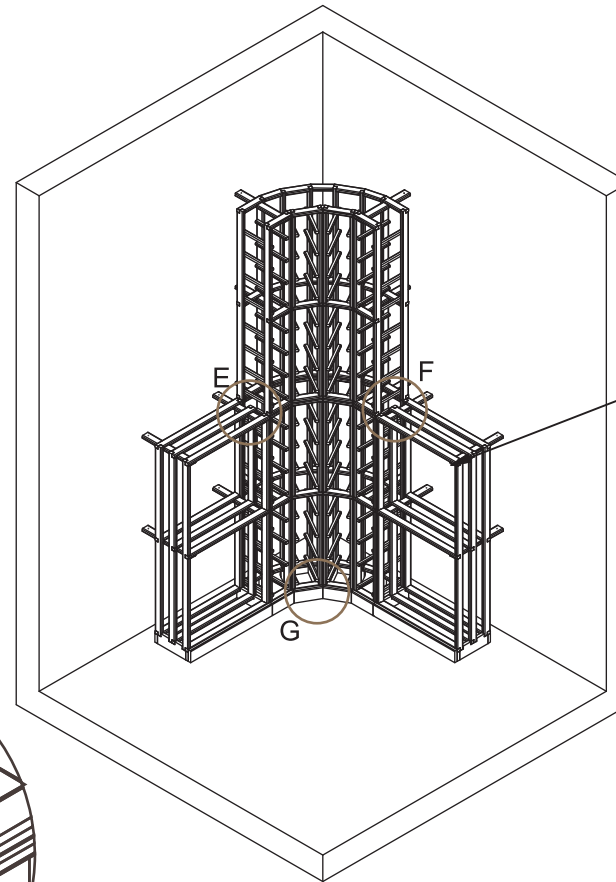
MULTIPLE UNITS MAY BE STACKED TO REACH DESIRED HEIGHT



BASE MOULD CORNER KIT (SOLD SEPARATELY)

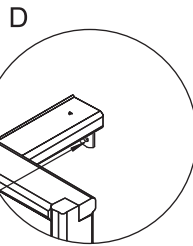
IMPORTANT:

- 1- PRIOR TO ATTACHING UNITS TO THE WALL PRE-MOUNT THE UNITS IN THEIR DESIRED POSITIONS
- 2 - USE A PENCIL TO MARK THE LOCATIONS OF WHERE THE ANGLED BRACKETS WILL BE FIXED TO THE WALL
- 3 - PRE-DRILL HOLES AT THESE MARKINGS AND INSTALL THE DRYWALL ANCHORS PROVIDED WITH THE KIT.

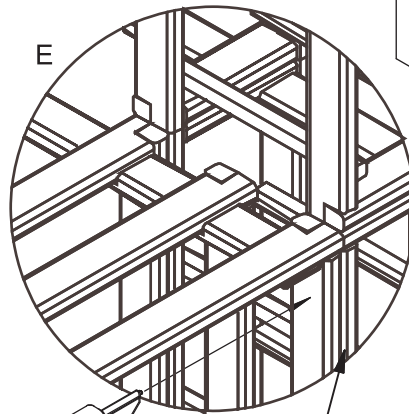
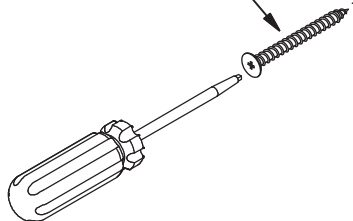


BIN 32 16

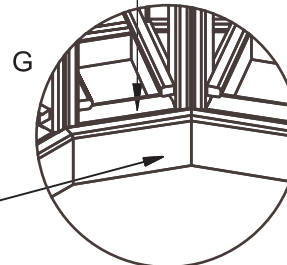
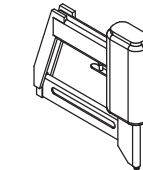
USE THE DRYWALL ANCHORS PROVIDED WITH THE KIT TO ATTACH THE UNIT TO THE WALL



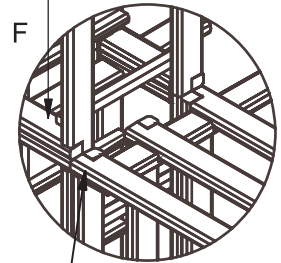
Philips Flathead 1 1/2"



ATTACH CURVED CORNERS TO OTHER UNITS BY NAILING SIDE UPRIGHTS TO EACH OTHER

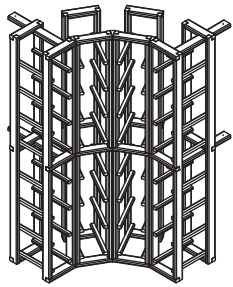


ATTACH CURVED CORNER KIT TO BASE MOULD CORNER KIT (SOLD SEPARATELY) BY NAILING BOTTOM SPACER BAR TO BASE

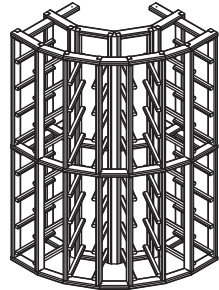


ATTACH CORNER KITS TO EACH OTHER BY NAILING TOP & BOTTOM SPACER BARS TOGETHER

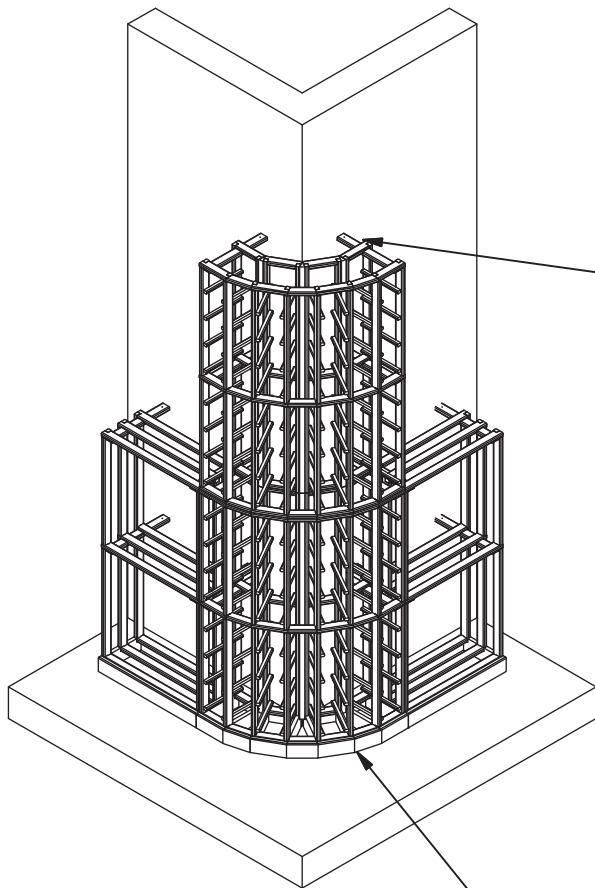
OUTSIDE CURVED CORNER



INSIDE CURVED CORNER



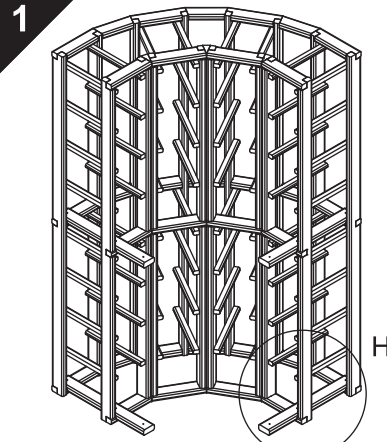
OUTSIDE CURVED CORNER



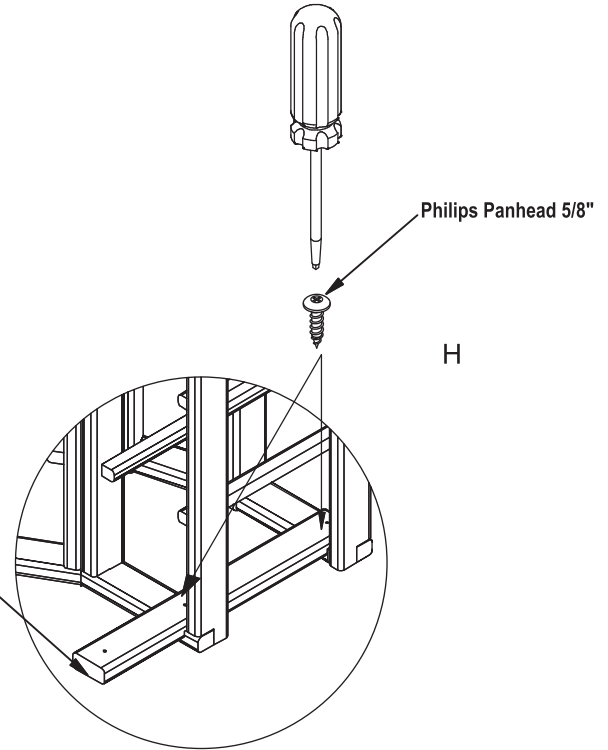
OUTSIDE BASE MOULD CORNER KIT (SOLD SEPARATELY)

BY REVERSING THE CURVED CORNER YOU CAN PLACE IT AROUND WALL CORNERS SUCH AS SHOWN

STEP 1 ATTACH CLEATS TO RACKS

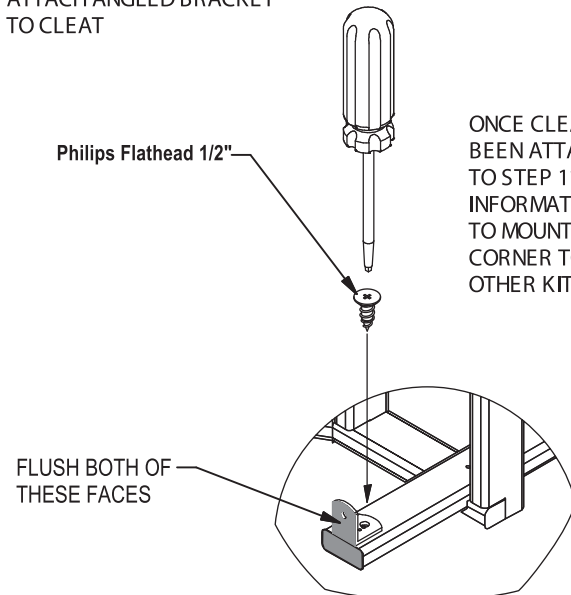


UPSIDE DOWN RACKS (AS IN STEP 9)



PLACE CLEAT WITH THIS END FACING THE INSIDE OF THE CURVED CORNER

STEP 2 ATTACH ANGLED BRACKET TO CLEAT

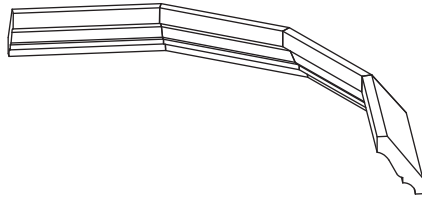


ONCE CLEATS HAVE BEEN ATTACHED, MOVE TO STEP 11 FOR INFORMATION ON HOW TO MOUNT CURVE CORNER TO WALL AND OTHER KITS

FLUSH BOTH OF THESE FACES

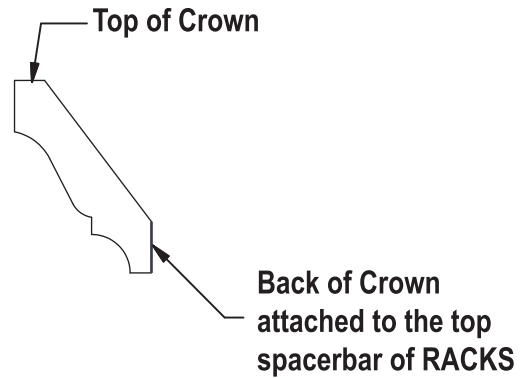
**STEP
12**

ATTACHING CROWN MOULD TO CURVED RACK

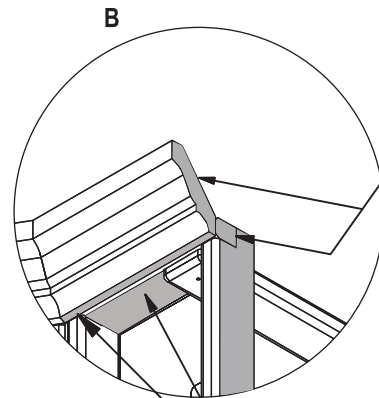
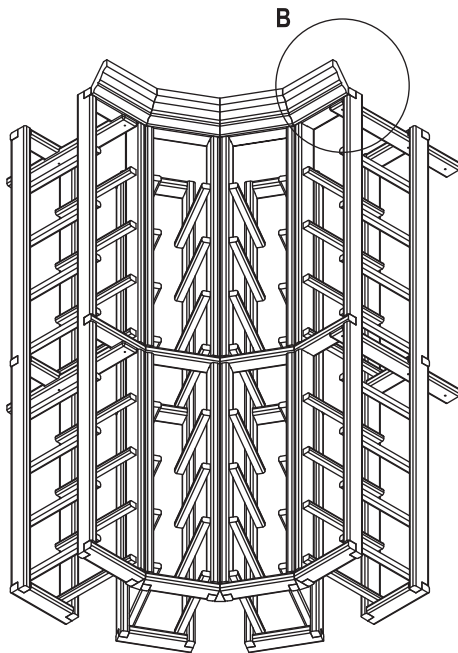
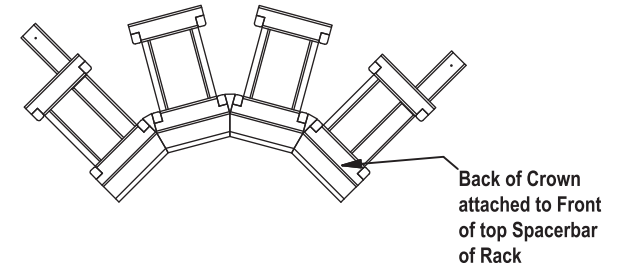


***NOTE: CROWN IS NOT PROVIDED WITH KITS**

CROWN PROFILE

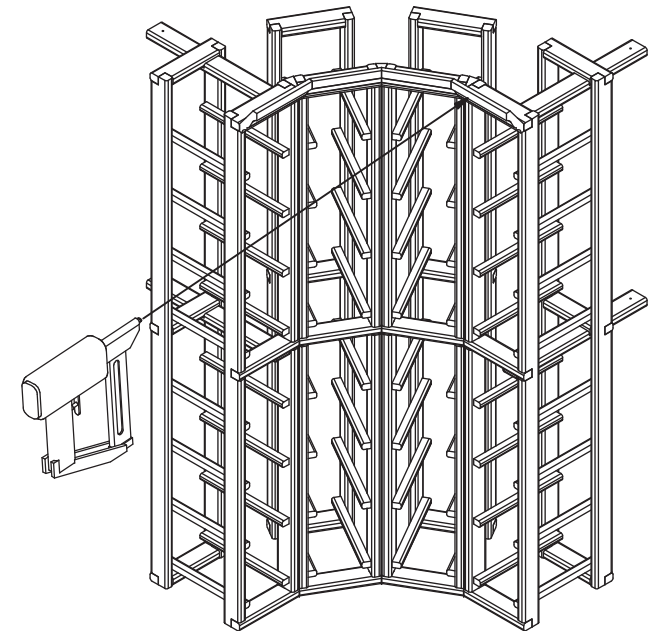


TOP VIEW OF CROWN ATTACHED TO TOP SPACERBAR OF RACK



Bottom of Crown Flushed to the Bottom of the top Spacerbar of Rack

CROWN ATTACHED TO CURVED RACK



Nail in the Front of Crown in every segment of the crown so it fits perfectly in the Curved Rack

1-2 NAILS PER LOCATION

VIEW OF RACK FROM UNDERNEATH TO SHOW FACES OF CROWN FLUSHED WITH RACK